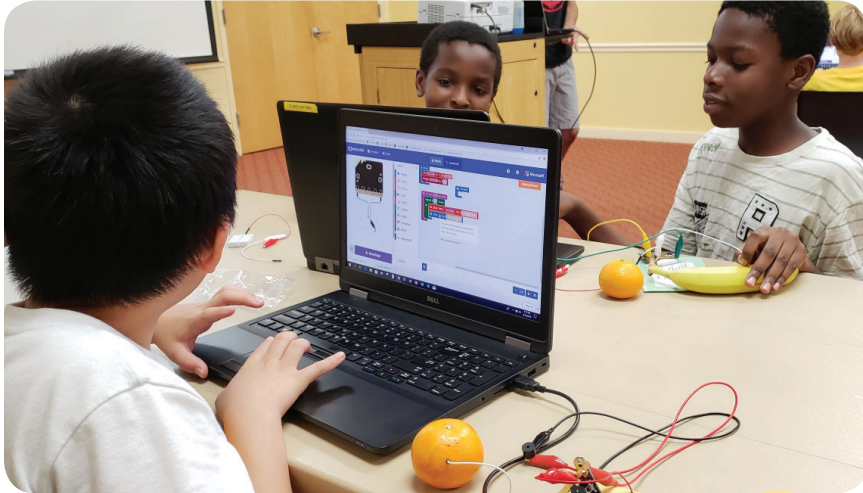


# micro:bit Kits



Get creative through coding, circuits, and hardware!  
For ages 10 & up.

The micro:bit is a pocket-size programmable microcontroller that lets you get creative with digital technology through coding, computer hardware, and electronic circuits. Featuring motion detection, a built-in compass, LED display, and Bluetooth technology, you can program the micro:bit to create games, robots, and more. You can also hook up to other devices, sensors, and objects and experiment with electronic circuits. The micro:bit is a great springboard for learning more complex hardware like Arduino and Raspberry Pi.

ATPL has two types of kits available,  
basic or advanced, depending on your level.

Get started on your journey of coding computer hardware!

More info and tutorials at  
[abingtonfreelibrary.org/microbit-kits](http://abingtonfreelibrary.org/microbit-kits).

Borrow a micro:bit kit at the Circulation Desk.

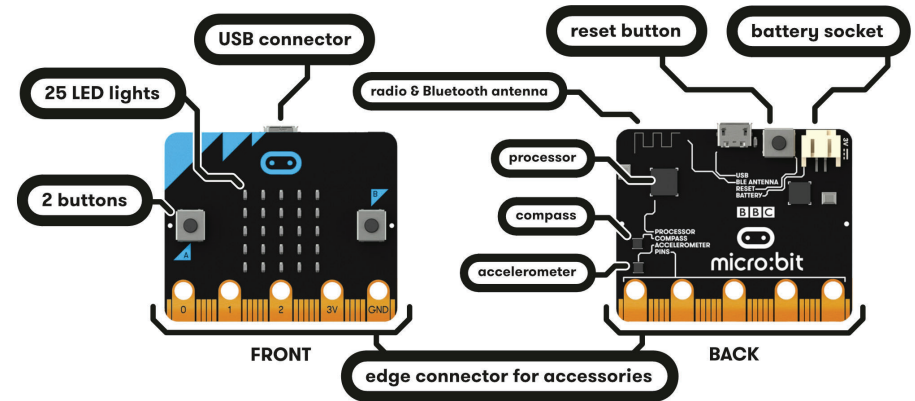
## Abington Free Library

1030 Old York Road, Abington, PA 19001

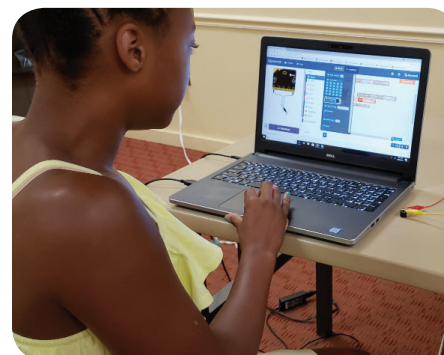
[abingtonfreelibrary.org](http://abingtonfreelibrary.org), 215-885-5180 x113

The Abington Board of School Directors assumes no responsibilities for the opinions, information and possible typographical errors and omissions, etc. that may be reflected in this flyer.

## Borrow a micro:bit kit today!



- 1 week check-out period with 1 week renewal
- 1 per household
- You can place a hold through our catalog.
- Pick up the kit at the Circulation Desk. An adult (age 18 & up) must sign a Patron Agreement Form.
- Please return the micro:bit kit to a staff member at Abington Free Library's Circulation Desk. If the kit is returned in the book drop or to another library, a \$10 fee will be charged.
- \$1 per day overdue fine
- \$10 maximum overdue fine
- Up to \$50 replacement cost
- Please do not leave within reach of children under age 8.



More info at  
[abingtonfreelibrary.org/microbit-kits](http://abingtonfreelibrary.org/microbit-kits).

### Questions?

Contact the Information Desk  
at 215-885-5180 x113  
or email  
[askabington@gmail.com](mailto:askabington@gmail.com).